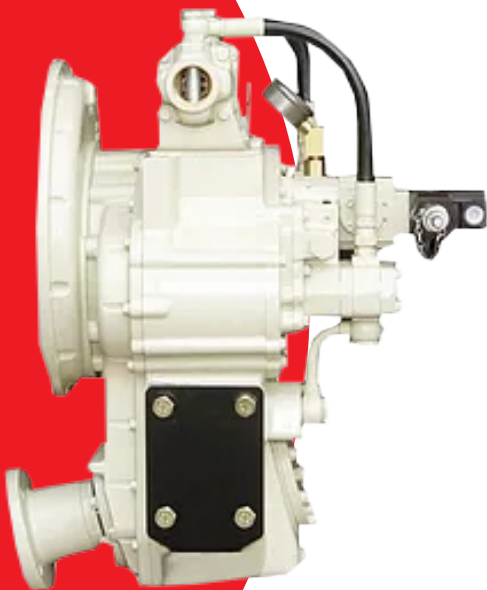


MARINE TRANSMISSIONS

MEGATECH

POWER



- ✓ Designed with lightness made of seaworthy & high stiff aluminium.
- ✓ Possible to remote control by the shifting valve (mechanical & electric)
- ✓ Easy to maintain the gearbox by moving engine installation space.
- ✓ Developed under quality ISO9001 system.
- ✓ Designed on the basis of DNV & ISO6336.
- ✓ Suitable for the surface drive and propeller shaft type for high speed propulsion system.

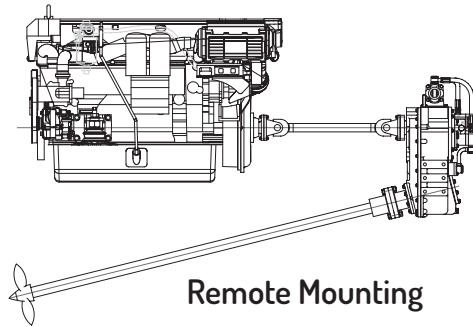


www.megatechpower.com.br

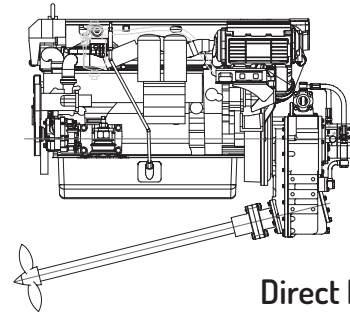
Av. Nações Unidas, 1683 - Vila Margarida - São Vicente/ SP - CEP 11330-300 Brasil.
Contato: +55 (13) 3023-4128 / Email: megatech@megatechpower.com.br

MARINE TRANSMISSIONS

✓ INSTALLATION DIMENSIONS



Remote Mounting



Direct Mounting

✓ THE SPECIFICATION & CAPACITY OF - DRIVE

MODEL	RATIOS	hp/rpm	INPUT POWER CAPACITY(hp)				Max rpm	Weight (kg)	Housing
			2000rpm	2100rpm	2600rpm	3500rpm			
DMT100IV	1.21,1.54,1.84,2.12,2.52	0.1439	287.8	302.2	374.1	503.8	4000	120	SAE 2,3,4

- Designed with lightness made of seaworthy & high stiff aluminium.
- Possible to remote control by the shifting valve (mechanical & electric)
- Engine efficiency increase by applying Conical Gear (14°).
- Easy to maintain the gearbox by moving engine installation space.
- Developed under quality ISO9001 system.
- Designed on the basis of DNV & ISO6336.
- Suitable for the surface drive and propeller shaft type for high speed propulsion system.
- Wide space usage by efficient vessel design.

✓ DIMENSION

